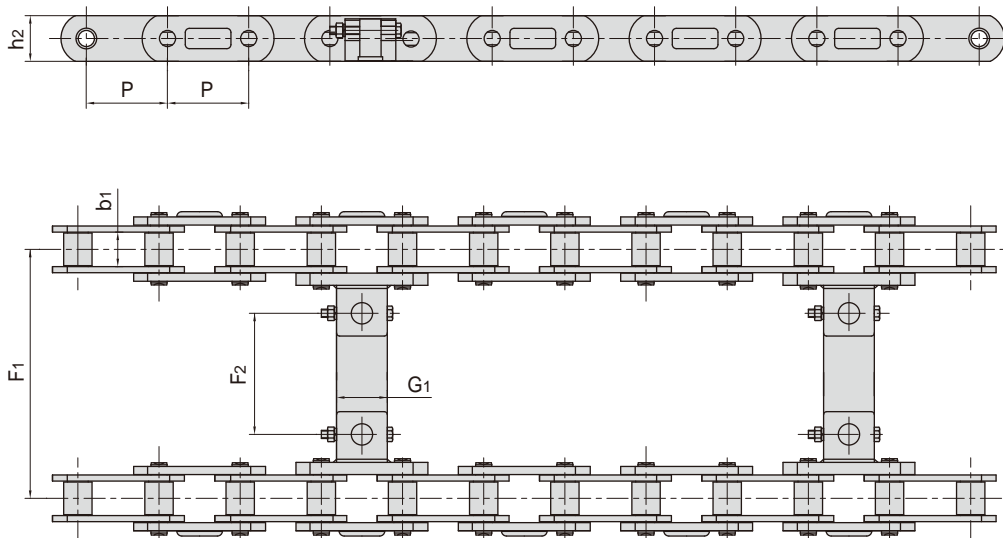


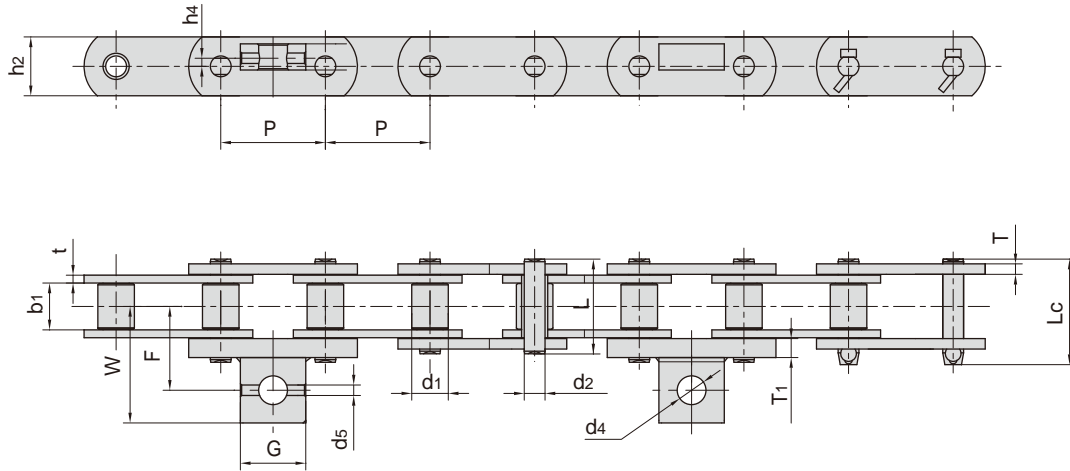
筑路机械链 Conveyor chains for road construction machinery



东华链号 Donghua Chain No.	P	b1	h2	F1	F2	G1
	mm	mm	mm	mm	mm	mm
P80F8	80.0	33.8	45.0	575.0	449.0	50.0
P80F17	80.0	35.3	45.0	575.0	442.4	50.0
P80F27	80.0	35.3	46.0	497.4	385.0	50.0
P80F41	80.0	33.8	45.0	509.5	396.5	50.0
P80F45	80.0	35.0	45.0	540.0	425.0	50.0
TPJP80F1	80.0	33.8	45.0	500.0	374.0	50.0
TPJP80F3	80.0	33.8	45.0	561.0	448.0	50.0
TPJP80F4	80.0	33.8	45.0	585.0	472.0	50.0
TPJP80F12	80.0	33.8	45.0	584.5	471.5	50.0



筑路机械链 Conveyor chains for road construction machinery

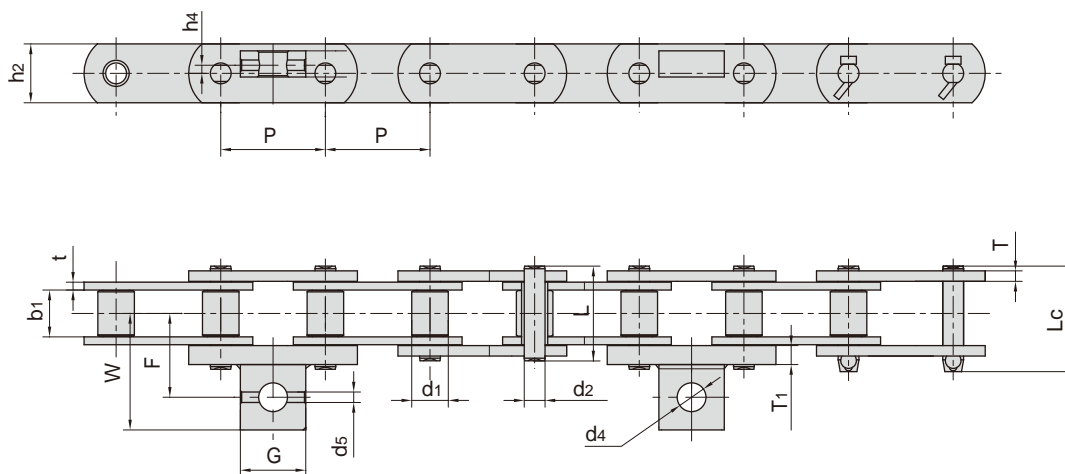


东华链号 Donghua Chain No.	节距 Pitch	滚子直径 Roller diameter	内节内宽 Width between inner plates	销轴直径 Pin diameter	销轴长度 Pin length		链板高度 Plate depth	链板厚度 Plate thickness	抗拉强度 Tensile strength	每米长重 Weight per meter
	P	d1 max	b1 min	d2 max	L max	Lc max	h2 max	t/T max	Q min	q
	mm	mm	mm	mm	mm	mm	mm	mm	kN/lbf	kg/m
P70F23	70.00	25.40	25.2	14.61	53.4	59.7	32.00	5.6/5.0	120.0/26976	5.99
M112F12-S-70	70.00	30.00	32.0	15.00	60.0	65.5	40.00	6.0/4.0	112.0/25178	9.50
*P75	75.00	15.00	18.0	9.80	39.5	44.3	25.00	4.0	48.0/10790	2.60
P78.11F29	78.11	31.75	38.1	16.00	-	88.6	38.10	8.0	169.0/37991	10.56
P80F7	80.00	35.76	35.3	18.00	72.0	76.7	46.00	7.0/6.2	95.0/21370	11.91
P80F8	80.00	27.94	33.8	15.90	68.4	76.0	44.45	6.0/8.0	190.0/42741	10.80
P80F17	80.00	36.00	35.3	18.00	81.0	81.5	45.00	6.0/5.0	195.0/43866	12.90
P80F19	80.00	27.94	33.8	15.90	68.4	75.8	45.00	6.0/8.0	190.0/42741	11.20
P80F21	80.00	27.94	34.0	15.90	78.4	-	45.00	6.0/8.0	190.0/42741	10.70
*P80F27	80.00	26.00	35.3	18.00	72.0	76.7	46.00	7.0/6.2	195.0/43866	9.55
P80F29	80.00	27.94	33.8	15.90	70.4	74.0	45.00	6.0/8.0	190.0/42741	10.80
*P80F30	80.00	26.00	35.0	18.00	72.0	75.8	45.00	6.0/8.0	195.0/43836	10.50
P80F39	80.00	27.95	33.8	15.87	68.4	75.8	45.00	6.0/8.1	190.0/42712	10.70
P80F45	80.00	32.00	35.0	15.90	70.6	78.0	45.00	6.0/8.0	190.0/42741	10.94
*P80F51A1	80.00	26.00	35.0	15.90	69.5	77.0	45.00	6.0/8.0	175.0/39340	10.42
P80F62	80.00	27.95	33.8	15.87	68.4	75.8	45.00	6.0/8.1	190.0/42712	10.60
*P80F69	80.00	26.00	35.0	18.00	72.0	78.0	45.00	6.0/8.0	195.0/43836	10.50
P80F87	80.00	36.00	35.3	18.00	84.0	88.5	45.00	10.0	250.0/56200	15.20

*套筒链：表中滚子直径d1为套筒直径

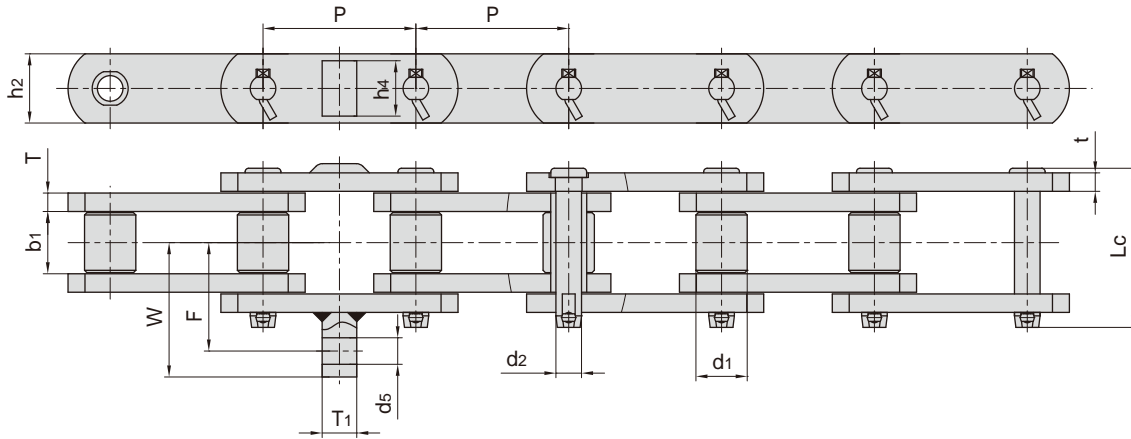
*Bush chain: d1 in the table indicates the external diameter of the bush.

筑路机械链 Conveyor chains for road construction machinery



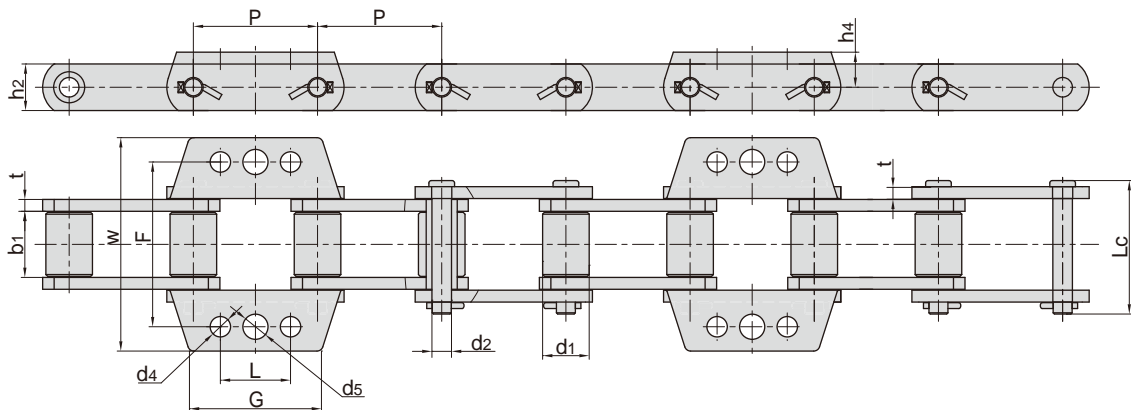
东华链号 Donghua Chain No.	F	W	G	h4	d4	d5	T1
	mm	mm	mm	mm	mm	mm	mm
P70F23	43.75	64.1	40.0	6.5	22.0	7.0	5.00
M112F12-S-70	60.00	77.4	30.0	7.5	15.0	-	10.00
P75	32.20	46.2	30.0	5.2	14.0	-	4.00
P78.11F29	53.10	78.5	50.8	12.7	19.3	-	7.95
P80F7	56.40	81.4	50.5	5.0	21.0	8.2	6.20
P80F8	63.00	88.0	50.0	8.0	22.0	10.2	14.20
P80F17	66.30	91.3	50.0	-	24.0	-	15.00
P80F19	56.50	81.5	50.0	6.2	22.0	8.0	8.00
P80F21	57.00	82.0	50.0	-	21.5	-	8.00
P80F27	56.20	81.5	50.5	-	21.0	-	6.20
P80F29	56.50	81.5	50.0	6.2	22.0	10.0	8.00
P80F30	57.00	82.2	50.5	5.0	21.0	-	8.00
P80F39	56.50	81.5	50.0	6.2	22.0	8.0	8.00
P80F45	57.50	80.0	50.0	-	25.0	-	8.00
P80F51A1	57.00	82.0	50.0	-	20.5	-	8.00
P80F62	56.50	81.5	50.0	6.5	22.0	8.6	8.00
P80F69	56.50	82.2	50.5	5.5	20.5	-	8.00
P80F87	58.50	72.4	48.0	-	12.0	-	10.00

筑路机械链 Conveyor chains for road construction machinery



东华链号 Donghua Chain No.	节距 Pitch	滚子直径 Roller diameter	内节内宽 Width between inner plates	销轴直径 Pin diameter	销轴长度 Pin length	内链板高度 Inner plate depth	链板厚度 Plate thickness	抗拉强度 Tensile strength	每米长重 Weight per meter
	P	d1 max	b1 min	d2 max	L max	h2	t/T	Q min	q
	mm	mm	mm	mm	mm	mm	mm	kN/lbf	kg/m
P66.27F10	66.27	22.23	27.00	11.10	69.00	30.00	8.00	90.0/20232	6.96

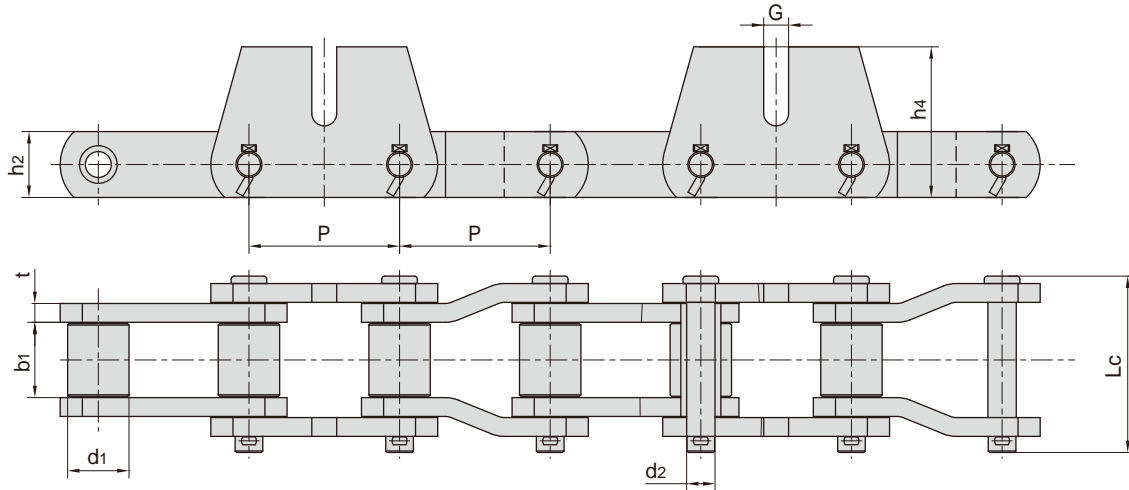
东华链号 Donghua Chain No.	F	W	h4	d5	T1
	mm	mm	mm	mm	mm
P66.27F10	47.00	58.50	24.00	11.50	15.00



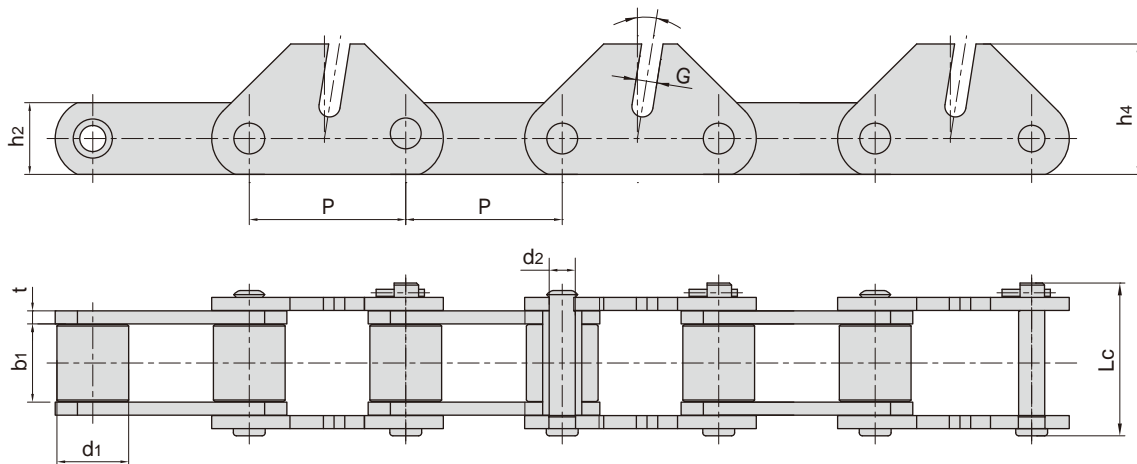
东华链号 Donghua Chain No.	节距 Pitch	滚子直径 Roller diameter	内节内宽 Width between inner plates	销轴直径 Pin diameter	销轴长度 Pin length	内链板高度 Inner plate depth	链板厚度 Plate thickness	抗拉强度 Tensile strength	每米长重 Weight per meter
	P	d1 max	b1 min	d2 max	Lc max	h2 max	t	Q min	q
	mm	mm	mm	mm	mm	mm	mm	kN/lbf	kg/m
P101.6F189K3	101.60	38.10	54.10	16.00	109.20	44.45	9.70	182.3/40981	14.45

东华链号 Donghua Chain No.	F	W	L	h4	d4	d5	G
	mm	mm	mm	mm	mm	mm	mm
P101.6F189K3	134.80	174.600	57.40	28.70	16.70	20.60	108.00

筑路机械链 Conveyor chains for road construction machinery

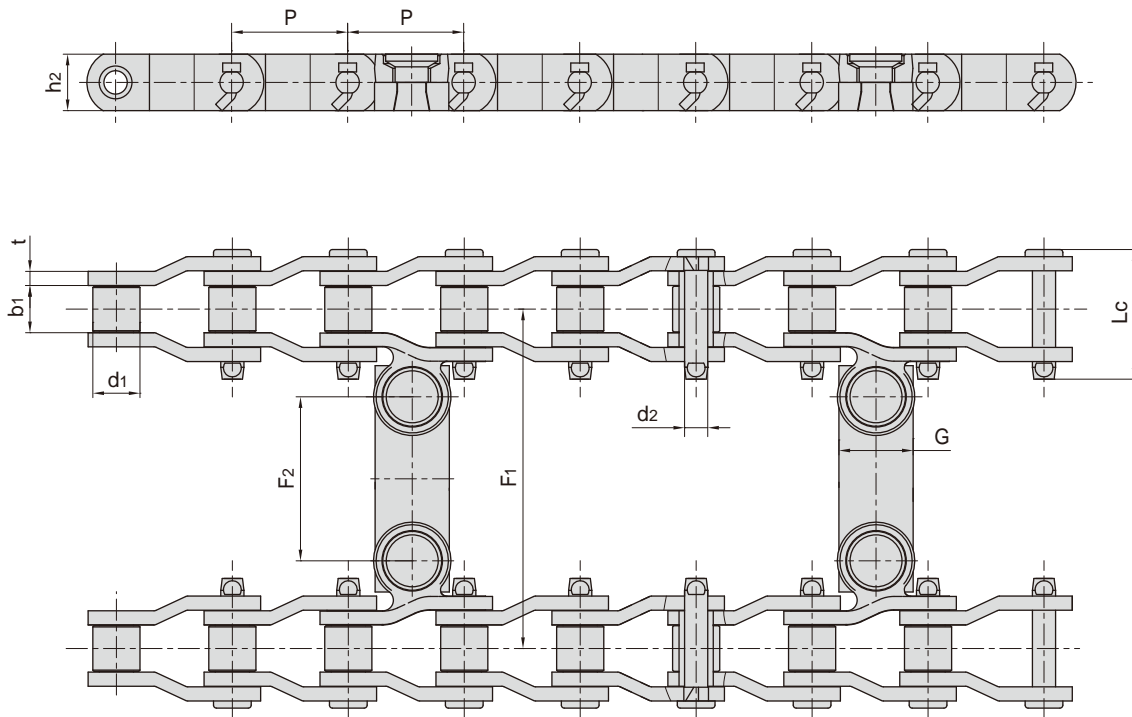


东华链号 Donghua Chain No.	节距 Pitch	滚子直径 Roller diameter	内节内宽 Width between inner plates	销轴直径 Pin diamenter	销轴长度 Pin length	内链板高度 Inner plate depth	链板厚度 Plate thickness	附板尺寸 Attachment dimension		抗拉强度 Tensile strength	每米长重 Weight per meter
	P	d1 max	b1 min	d2 max	Lc max	h2 max	t	h4	G	Q min	q
	mm	mm	mm	mm	mm	mm	mm	mm	mm	kN/lbf	kg/m
P101.6F186	101.60	41.40	50.80	19.12	120.00	44.45	12.70	101.60	16.80	320.0/71936	22.50



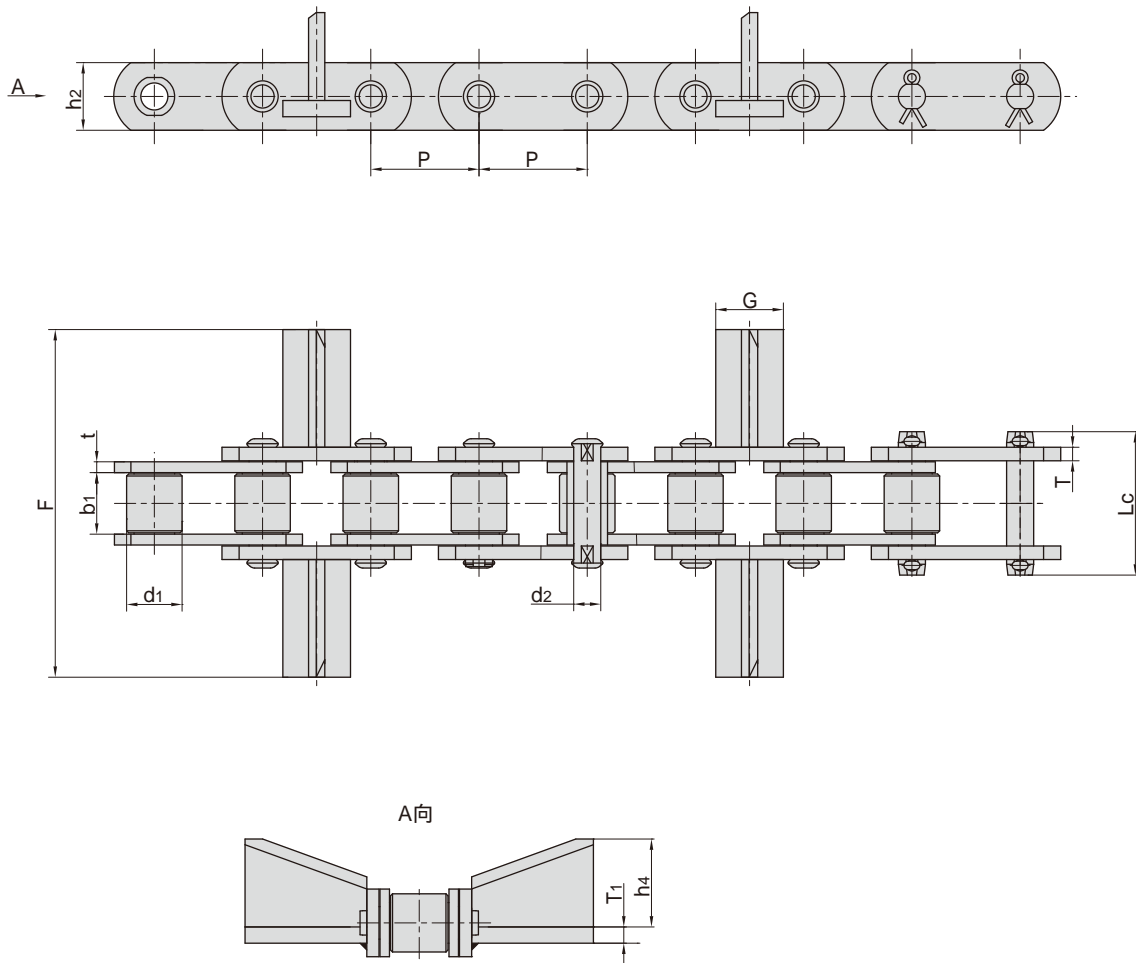
东华链号 Donghua Chain No.	节距 Pitch	滚子直径 Roller diameter	内节内宽 Width between inner plates	销轴直径 Pin diamenter	销轴长度 Pin length	内链板高度 Inner plate depth	链板厚度 Plate thickness	附板尺寸 Attachment dimension		抗拉强度 Tensile strength	每米长重 Weight per meter	
	P	d1 max	b1 min	d2 max	Lc max	h2 max	t	h4	G	Q min	q	
	mm	mm	mm	mm	mm	mm	mm	mm	mm	kN/lbf	kg/m	
P152F251	152.40	69.85	76.20	25.40	148.80	69.85	12.70	127.00	20.60	9°	431.5/97001	39.40

筑路机械链 Conveyor chains for road construction machinery



东华链号 Donghua Chain No.	节距 Pitch	滚子直径 Roller diameter	内节内宽 Width between inner plates	销轴直径 Pin diameter	销轴长度 Pin length	内链板高度 Inner plate depth	链板厚度 Plate thickness	附板尺寸 Attachment dimension			抗拉强度 Tensile strength	每米长重 Weight per meter
	P	d1 max	b1 min	d2 max	Lc max	h2 max	t	F1	F2	G	Q min	q
	mm	mm	mm	mm	mm	mm	mm	mm	mm	mm	kN/lbf	kg/m
SS40SL	78.105	31.78	31.75	15.90	89.15	38.00	9.50	-	-	-	225.00/50818	12.03
SS40SLF2	78.130	31.75	31.75	15.70	87.35	38.10	9.52	543.00	424.66	50.00	225.00/50580	35.00

筑路机械链 Conveyor chains for road construction machinery



东华链号 Donghua Chain No.	节距	滚子直径	内节内宽	销轴直径	销轴长度	内链板高度	链板厚度	附板尺寸				抗拉强度	每米长重
	Pitch	Roller diameter	Width between inner plates	Pin diameter	Pin length	Inner plate depth	Plate thickness	Attachment dimension				Tensile strength	Weight per meter
	P	d1 max	b1 min	d2 max	Lc max	h2 max	t / T	F	T1	h4	G	Q min	q
	mm	mm	mm	mm	mm	mm	mm	mm	mm	mm	mm	kN/lbf	kg/m
P80F53	80.00	42.00	45.00	20.00	94.00	50.00	8.00/10.00	259.00	12.00	65.00	50.00	180.0/40464	23.10